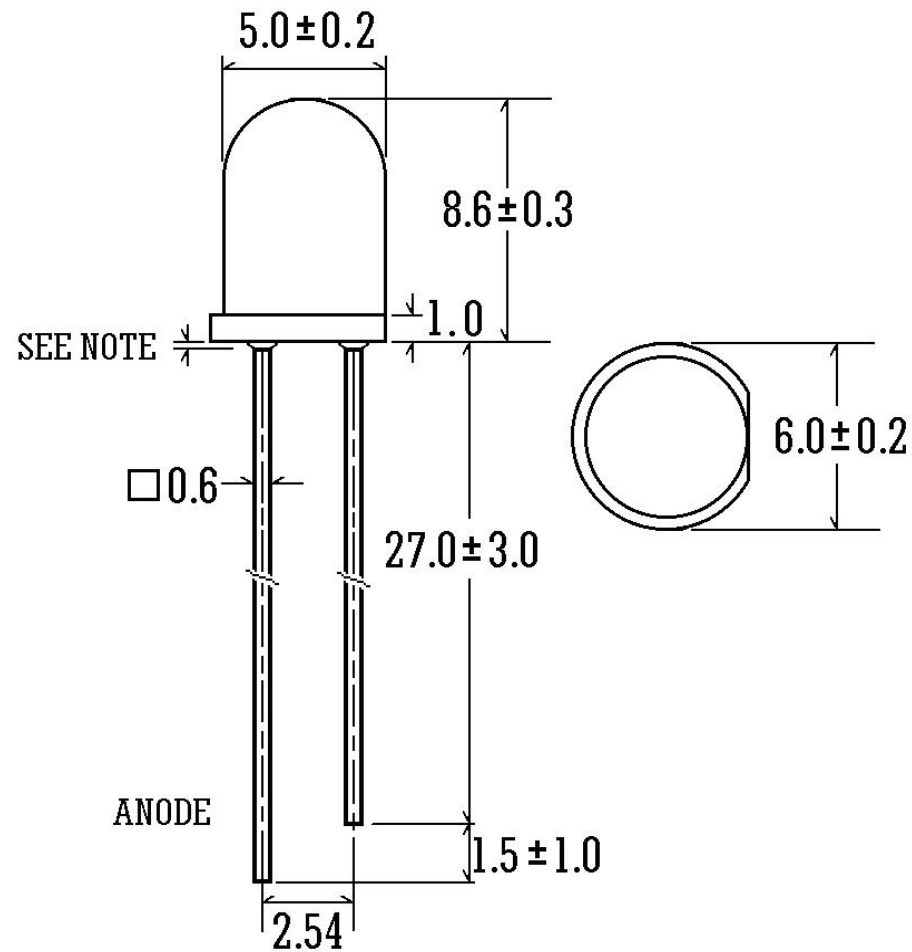


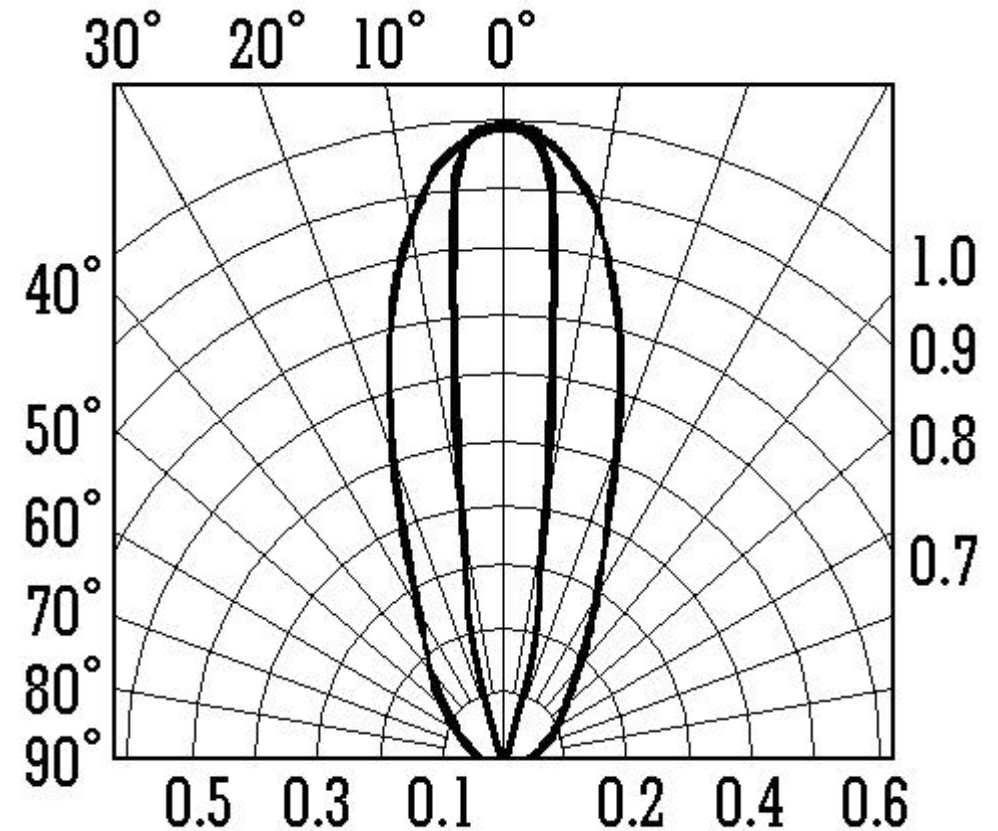
Ultra Bright Blue / White / Pure Green / Ultra Violet LED Specifications

333 T1 3/4(5mm) SERIES ROUND LED LAMPS

Package Dimension



Radiation Diagram



Viewing Angle - $2\Phi \frac{1}{2}$: $20^\circ \pm 10^\circ$ & $40^\circ \pm 10^\circ$

Ultra Bright Blue / White / Pure Green / Ultra Violet LED Specifications	333 T1 3/4(5mm) SERIES ROUND LED LAMPS
--	--

<p>Features:</p> <ul style="list-style-type: none"> ✓ Standard T1 3/4 5mm LED ✓ Low Power Consumption ✓ Longer Life Time ✓ I.C. Compatible ✓ High Efficiency ✓ Accurate Minimum Intensity ✓ Pb Free 	<p>Applications:</p> <ul style="list-style-type: none"> ✓ Indicators ✓ Flashlight Bulbs ✓ Advertising Signs ✓ Back Lighting ✓ Commercial ✓ Do It Yourself(D.I.Y)
---	---

Absolute Maximum Ratings (Ta=25°C)

Item	Symbol	Maximum	Unit
DC forward current	I _F	30	mA
Peak forward current Pulse width Max. 10ms duty ratio Max 1/10	I _{FP}	100	mA
Reverse Voltage	V _R	5	V
Power dissipation	P _D	100	mW
Operating Temperature	T _{OPR}	-40 ~ +85	°C
Storage Temperature	T _{STG}	-40 ~ +100	°C
Soldering Temperature	T _{SDR}	260°C for 5sec	°C

Part Number Explanation

LED Part No: BUXXC333WYYY-AZZZ	
XX = Color	B = Blue, W = White, WL = Pure White, PG or G = Pure Green, BG = Bluish Green, UV = Ultra Violet
YY = Viewing Angle	20 = 20 degree, 60 = 60 degree, 110 = 110 degree...etc Tolerance ± 10°
ZZZ = Intensity Rank	See Selection Below

Ultra Bright Blue / White / Pure Green / Ultra Violet LED Specifications	333 T1 3/4(5mm) SERIES ROUND LED LAMPS
--	--

Electrical: Optical Characteristics (Ta=25°C)

Item	Symbol	Condition	Rank	Min	Typ	Max	Unit
DC forward voltage	V _F	I _F = 20mA	--	2.8	3.5	4.0	V
DC reverse current	I _R	V _R = 5V	--	--	--	100	μA

Intensity luminous Iv(mcd) @ I_F = 20mA

RANK	Min	Max	Rank	Min	Max
A01	300	500	A14	16000	--
A02	500	800	A15	18000	--
A03	800	1000	A25	20000	--
A04	1000	1400	A30	25000	--
A05	1400	2000	A40	30000	40000
A06	2000	3000	A50	40000	50000
A07	3000	4000	A60	50000	60000
A08	4000	6000	A80	60000	80000
A09	6000	8000	A100	80000	110000
A10	8000	10000			
A11	10000	12000			
A12	12000	14000			
A13	14000	--			

Wavelength (λd)	Condition	Min				Typ				Max	Unit
BLUE	I _F = 20mA	460				465				470	nm
Green		515				520				530	
UV Ultra Violet		WUVE: 390-395, WUVF: 395-400, WUFG: 400-405									
White		X1	Y1	X2	Y2	X3	Y3	X4	Y4	X:Y	
Pure White	I _F = 20mA	0.265	0.265	0.265	0.2	0.3	0.33	0.3	0.235		
White		0.215	0.205	0.215	0.165	0.26	0.255	0.26	0.185		

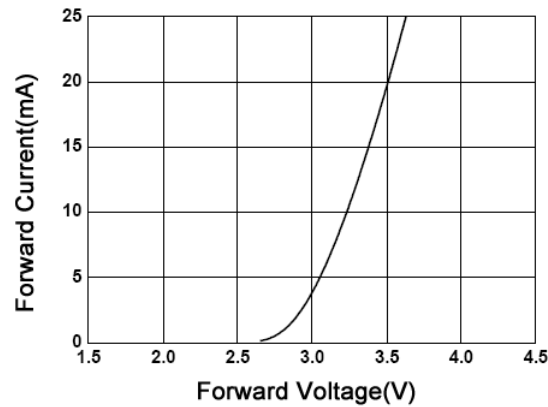
Notes:

- All dimensions are in millimeters.
- Clean only in isopropanol, ethanol, Freon TF (or equivalent).
- If forming is required, it must be done before soldering. Form pin leads by securing under 5mm from body and bedding with radio pliers or the equivalent to avoid pressure on resin. When the LED is mounted into a P.C. board, pitch spacing should be aligned to prevent any stress to the resin. Any unsuitable stress applied to resin may break bonding wire in LED, which will cause failure.
- Protruded resin under flange is 1.5mm Max.
- Specifications are subject to change without notice.

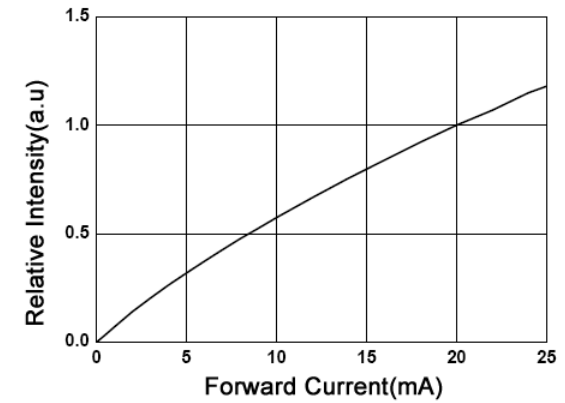
Ultra Bright Blue / White / Pure Green / Ultra Violet LED Specifications

333 T1 3/4(5mm) SERIES ROUND LED LAMPS

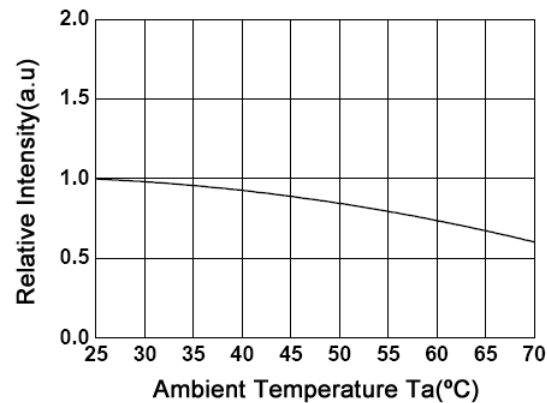
Forward Current V.S. Forward Voltage



Forward Current V.S. Relative Intensity



Relative Intensity V.S. Ambient Temp



Forward Current V.S. Ambient Temp

